

INVERTED BUCKET STEAM TRAPS IB12

DESCRIPTION

The IB12 is a series of general purpose robust and versatile inverted bucket steam traps manufactured in SG iron. These steam traps operate intermittently and are suitable for use with saturated or superheated steam. Typical applications include drip points, steam tracing lines, dryers, chemical and laundry equipment.

MAIN FEATURES

Intermittent discharge.
Discharges condensate at steam temperature.
Unaffected by water hammer and vibrations.
Easy to maintain.

USE: Saturated and superheated steam.

AVAILABLE

MODELS: IB12-4, 8 and 12 – SG iron.

SIZES: 1/2" to 3/4" – DN 15 to DN 20.

CONNECTIONS: Female threaded ISO 7 Rp or NPT.
Screw-on flanges EN 1092-2 PN 16/40.
Screw-on flanges ASME B16.42 Class 150.

INSTALLATION: Horizontal installation.
See IMI – Installation and maintenance instructions.

MAX. ΔP: IB12-4 – 4 bar
IB12-8 – 8 bar
IB12-12 – 12 bar

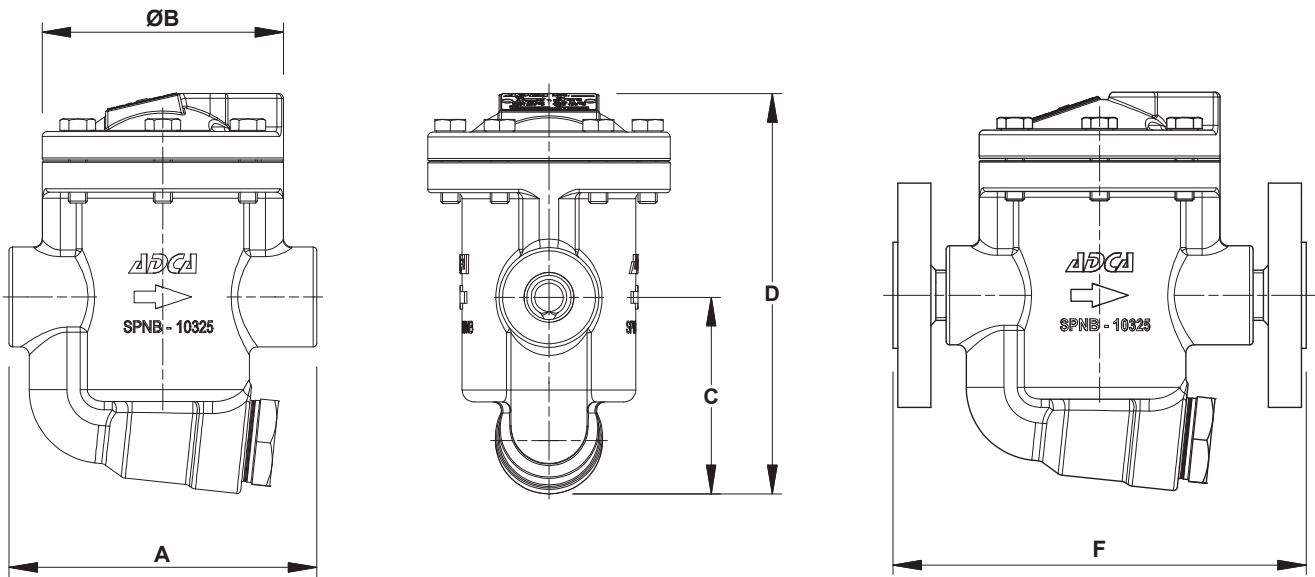


CE MARKING – GROUP 2 (PED – European Directive)	
PN 16	Category
1/2" to 3/4" – DN 15 to 20	SEP

BODY LIMITING CONDITIONS	
THREADED / SCREW-ON FLANGED	RELATED TEMPERATURE
ALLOWABLE PRESSURE	
16 bar	100 °C
15,5 bar	150 °C
14,7 bar	200 °C
13,9 bar	250 °C

PMO – Max. operating pressure: 14 bar.
TMO – Max. operating temperature: 198 °C.

FLOW RATE CAPACITY (kg/h)												
MODEL	SIZE	DIFFERENTIAL PRESSURE (bar)										
		1	2	3	4	5	6	7	8	10	11	12
IB12-4	1/2" to 3/4" DN 15 to 20	280	390	470	530	–	–	–	–	–	–	–
IB12-8	1/2" to 3/4" DN 15 to 20	190	260	320	360	400	430	460	500	–	–	–
IB12-12	1/2" to 3/4" DN 15 to 20	160	220	260	290	320	360	370	400	440	480	490



DIMENSIONS (mm)									
THREADED						PN 16/40		CLASS 150	
SIZE	A	B	C	D	WEIGHT (kg)	F *	WEIGHT (kg)	F *	WEIGHT (kg)
1/2" – DN 15	130	102	83	168	3,9	175	5,3	175	4,7
3/4" – DN 20	130	102	83	168	3,9	175	5,8	175	5

* With screw-on flanges.

MATERIALS		
POS. N°	DESIGNATION	MATERIAL
1	Body	GJS-400-15 / 0.7040
2	Cover	GJS-400-15 / 0.7040
3	* Gasket	Stainless steel / Graphite
4	* Seat	AISI 410 / 1.4006
5	* Valve	AISI 410 / 1.4006
6	* Lever	AISI 304 / 1.4301
7	* Bucket	AISI 304 / 1.4301
8	* Strainer screen	AISI 304 / 1.4301
9	Gasket	Stainless steel / Graphite
10	Plug	A105 / 1.0432
11	Bolts	Steel 8.8

* Available spare parts.

