



RP01 - RE01

Linear Analog Valve Positioners

The single & double-acting positioners RP01 and RE01 require an input signal of 3÷15 psi / 4÷20 mA for proportional control actuator. The Positioner compares the output signal from a controller with the position feedback, and varies a pneumatic output signal to the actuator accordingly. The actuator position is therefore guaranteed for any controller output signal and the effects of varying differential pressure.



CESI



Available 2014/34/UE (ATEX):

- II 1G Ex ia IIC Ga T6,T5 Ga
- II 2G IIC Ex h IIC T6...T1 Gb
- II 2D IIC Ex h IIIC T6...T1 Db

- ◆ Good dynamic response
- ◆ Particular compact design
- ◆ Zero and Span independent adjustment
- ◆ Split-Range operation
- ◆ Insensitive to pressure variation
- ◆ IEC 60534 standard bracket
- ◆ Adjustable positioning pressure range
- ◆ Valve speed adjustment
- ◆ Reverse action
- ◆ Double acting operation

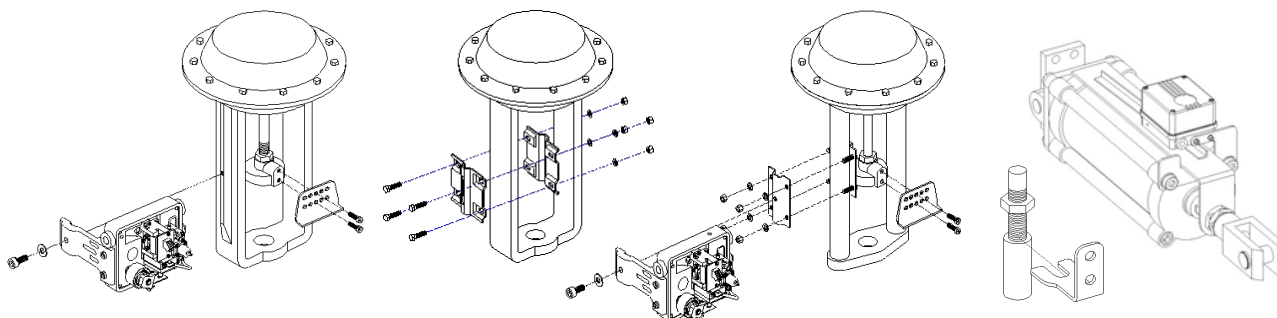
TECHNICAL DATA

MOUNTING	ISO recommended mounting bracket
PROTECTION CLASS (acc. To EN 60529)	IP55 (IP65 on request)
NOMINAL STROKE	3÷7mm (spring type 1) 6÷18mm (spring type 2) 9÷33mm (spring type 3) 14÷53mm (spring type 5) 52÷100mm (spring type 6) From 100 to >100 (on request)
PNEUMATIC CONNECTION	1/4" NPT
SUPPLY AIR PRESSURE	2...10 bar
OUTPUT AIR PRESSURE	0...100% of the supply air pressure
REPEATIBILITY	RP01: ±0.1% F.S. RE01: ±0.2% F.S.
HISTERESIS	RP01: ±0.6% F.S. RE01: ±1.0% F.S.
INPUT SIGNAL	RP01: 3÷15 psi (other input on request) RE01: 4÷20 mA (other input on request)
ANBIENT TEMPERATURE	RP01: -40÷80°C RE01: -40÷70°C
ELECTRIC CONNECTION	RE01: Cable gland PG9 (other on request)
Ui	RE01: < 30 V
li	RE01: < 150 mA
Pi	RE01: < 0.8 W
Impedance	RE01: < 250 Ohm
Ci	negligible
Li	negligible
WEIGHT	RP01: 1,3 Kg RE01: 1,4 Kg
BODY MATERIAL	Die cast aluminium with anti corrosive paint
COVER MATERIAL	Polycarbonate
RECEIVER DIAPHRAGM	Nitrile rubber

OPTIONS

POSITION TRANSMITTER (4÷20mA)	LIMIT SWITCHES
COVER IN DIE CAST ALLUMINIUM	PRESSURE GAUGE (GMKit)
II 1G Ex ia IIC Ga T6,T5 Ga (RE01.1)	II 2G IIC Ex h IIC T6...T1 Gb (RP01)
	II 2D IIC Ex h IIIC T6...T1 Db (RP01)

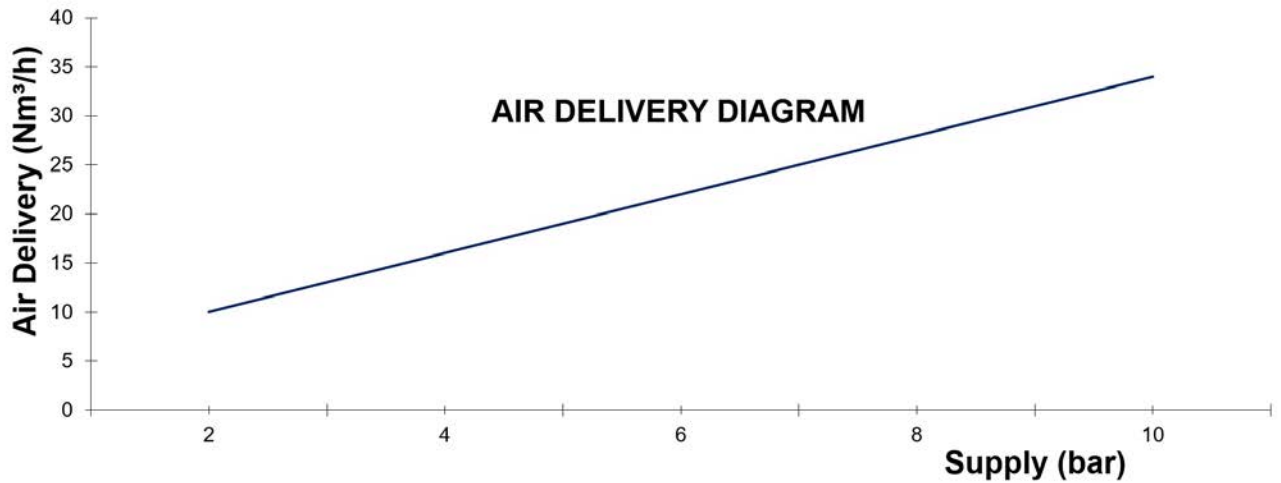
FITTING THE POSITIONER



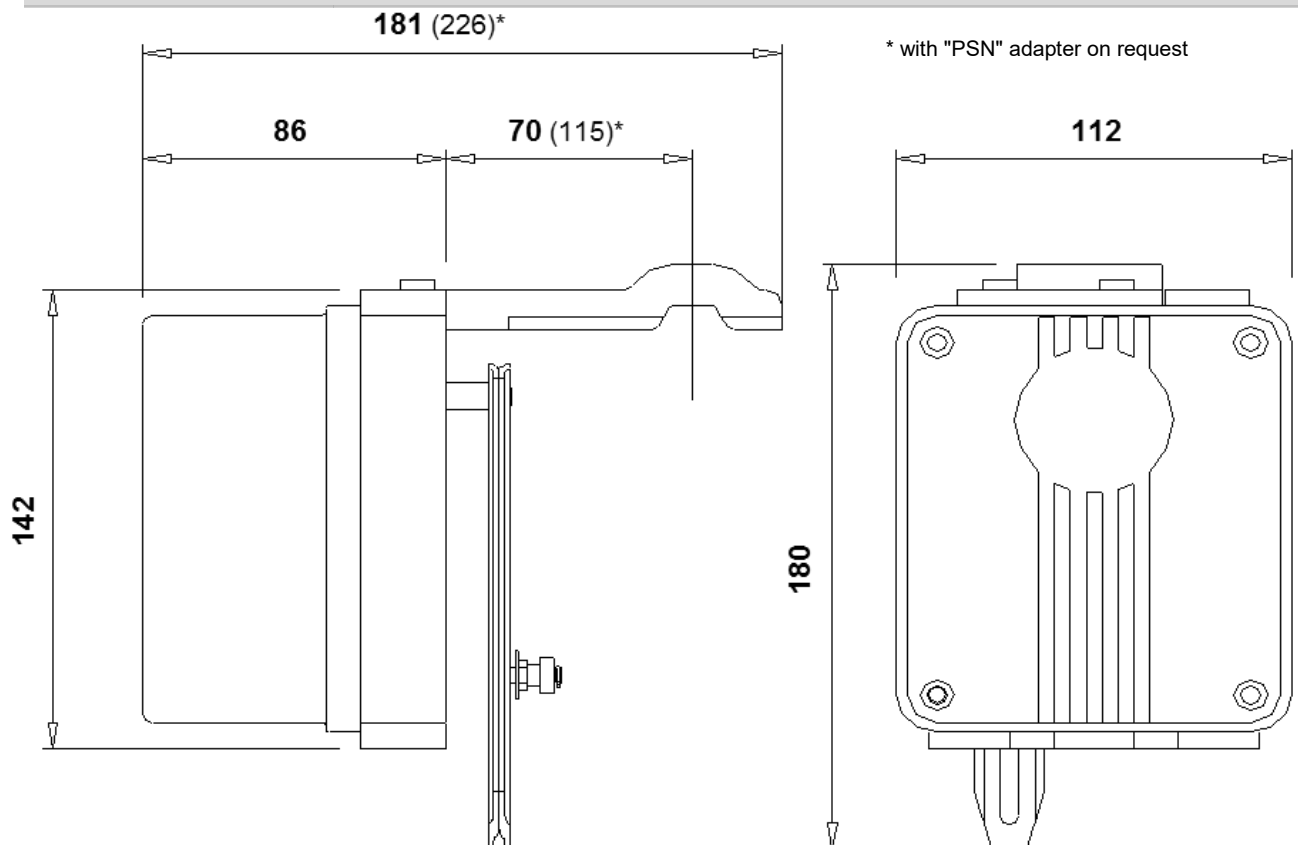
AIR DELIVERY

Test effected with pipe 6x8 mm

AIR SUPPLY (bar)	AIR DELIVERY (Nm ³ /h)	AIR CONSUMPTION (Nm ³ /h)
2	from 1 to 10	0.2
4	from 1 to 16	0.5
6	from 1 to 22	0.7
8	from 1 to 28	1.0
10	from 1 to 34	1.4



DIMENSIONS



The contents of this publication are presented for information purpose only. We reserve to modify or improve the designs or specifications of such products at any time without notice



OMC S.p.A.

Via Galileo Galilei, 18 - 20060
Cassina de Pecchi (MI) - ITALY
Tel.: (+39) 02.95.28.468
Fax: (+39) 02.95.21.495
info@omcvalves.com
www.omcvalves.com