

Flanged Motor Valve compact 7232

DN 15 up to DN 50

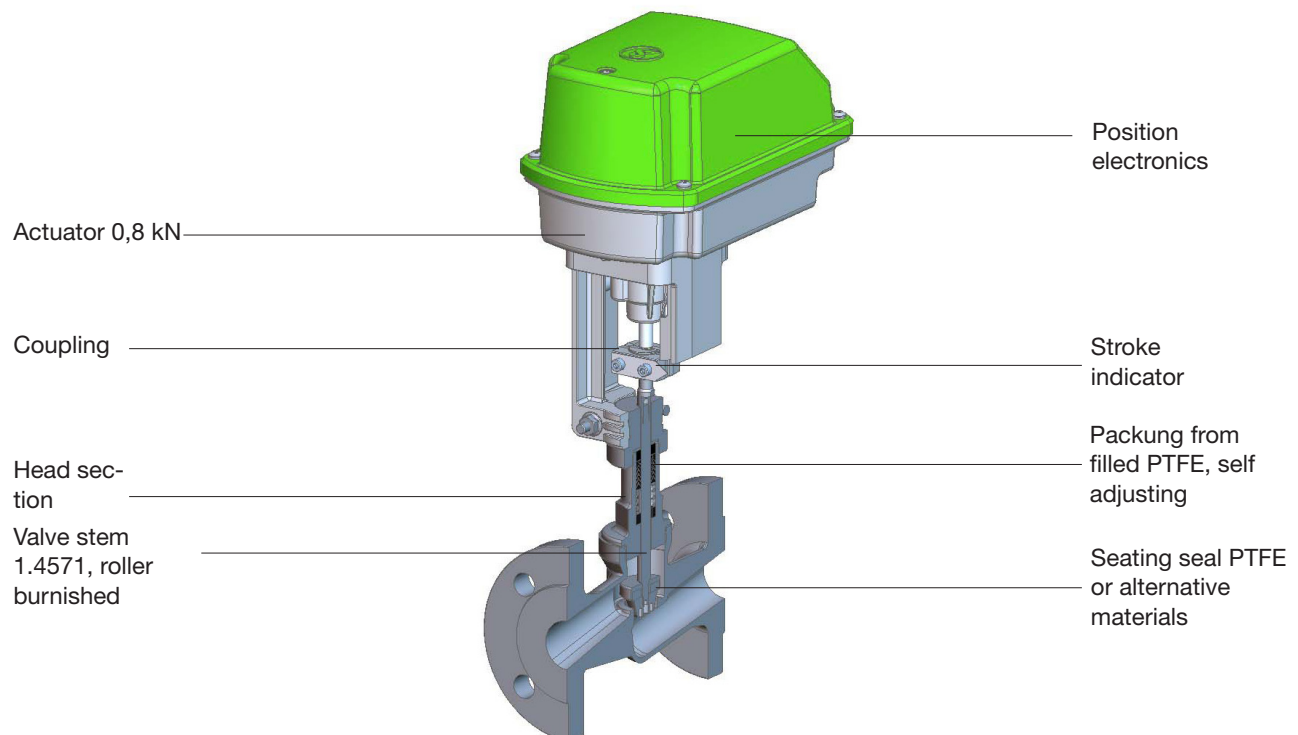
Motor valve for on/off- and modulating operation for neutral and aggressive media.

- Compact design
- Self adaption
- Unaffected by lightly contaminated media
- For temperatures from -100°C up to +220°C
- Working pressure up to 40 bar
- Versatile actuator options
- Actuators with control function also available with safety function



Technical Information Valve

Body materials	Stainless steel 1.4408
Nominal sizes	DN 15 up to DN 50
Connection	Flanges acc. DIN 2635
Dimension	acc. DIN EN558-1 Row 1
Nominal pressure	PN 40
Media temperature	-30°C up to +200°C, opt.-100°C up to +220°C
Viscosity	max. 600 mm ² /s (600 cSt)
Vacuum	max. 0,001 bar, abs.
Operating pressure packing underneath	max. 12 bar
Packing leakage	tested according to TA-Luft as defined in DIN EN ISO 15848-1 and VDI 2440



Technical Information CA-Actuator

Function	Control				On/Off	
Motor type	CA24C	CA260C	CA24C-R	CA260C-R	CA24	CA260
Mains connection	24V AC/DC	90-260V AC	24V AC/DC	90-260V AC	24V AC/DC	90-260V AC
Set point range	(0)2-10V / (0)4-20mA				3-term**	
Feedback	(0)2-10V / (0)4-20mA				optional	
Limit switch	2				optional	
Potentiometer feedback	-				optional	
Max. switching capacity	24V AC/DC 200 mA				250V AC/DC 1A	
Actuating speed	1.5 / 2 / 3 s/mm (Standard: 2 s/mm)				2 or 3 s/mm (Standard: 3 s/mm)	
Safety functions	Monitoring of tensile force, set point, temperature of the electronics, etc.				Tensile force monitoring	
Diagnostic functions	Storage of motor and total operating time, temperature and directional classes, etc.				-	
Fail Safe position	-	-	freely adjustable		-	
Load	500 Ω for current set point / 95 kΩ for voltage set point				-	
Max. input	13 W	12 W	13 W	12 W	13 W	12 W
Input heating resistor	10 W					
Starting current heating resistor	6 A	2,5 A	6 A	2,5 A	6 A	2,5 A
Actuating power	800 N					
Protection class (EN 60529)	IP 65					
Adm. Ambient temperature	-10°C to +60°C					
Duty cycle	100%					

*: for control with volt-signal split range adjustments are possible

**:: minimum switch on time 200ms

Wiring diagrams of the actuators can be found in the manual.

Admissible Differential Pressures

Nominal size	p max (bar)											
	DN15		DN20		DN25		DN32		DN40		DN50	
	On/off	Control	On/off	Control	On/off	Control	On/off	Control	On/off	Control	On/off	Control
Stainless steel body	40	16	20	16	12	12	7	7	4,8	4,8	2,8	2,8

Kvs-Values

Characteristic	linear						equal percentage					
	15	20	25	32	40	50	15	20	25	32	40	50
100 %	3,2	5,8	10,8	16	22	34	3	5,4	10	15,5	20	-
63 %	-	3,5	-	10	13	20	-	3,3	-	9,3	12	-
40 %	1,3	2,3	4,3	6,4	8,8	13,4	1,3	2,2	4	6,2	8	-
25 %	0,8	-	2,7	-	-	-	0,8	-	2,7	-	-	-
On-Off	3,4	6,5	11	17	25	40						

Ordering Number System

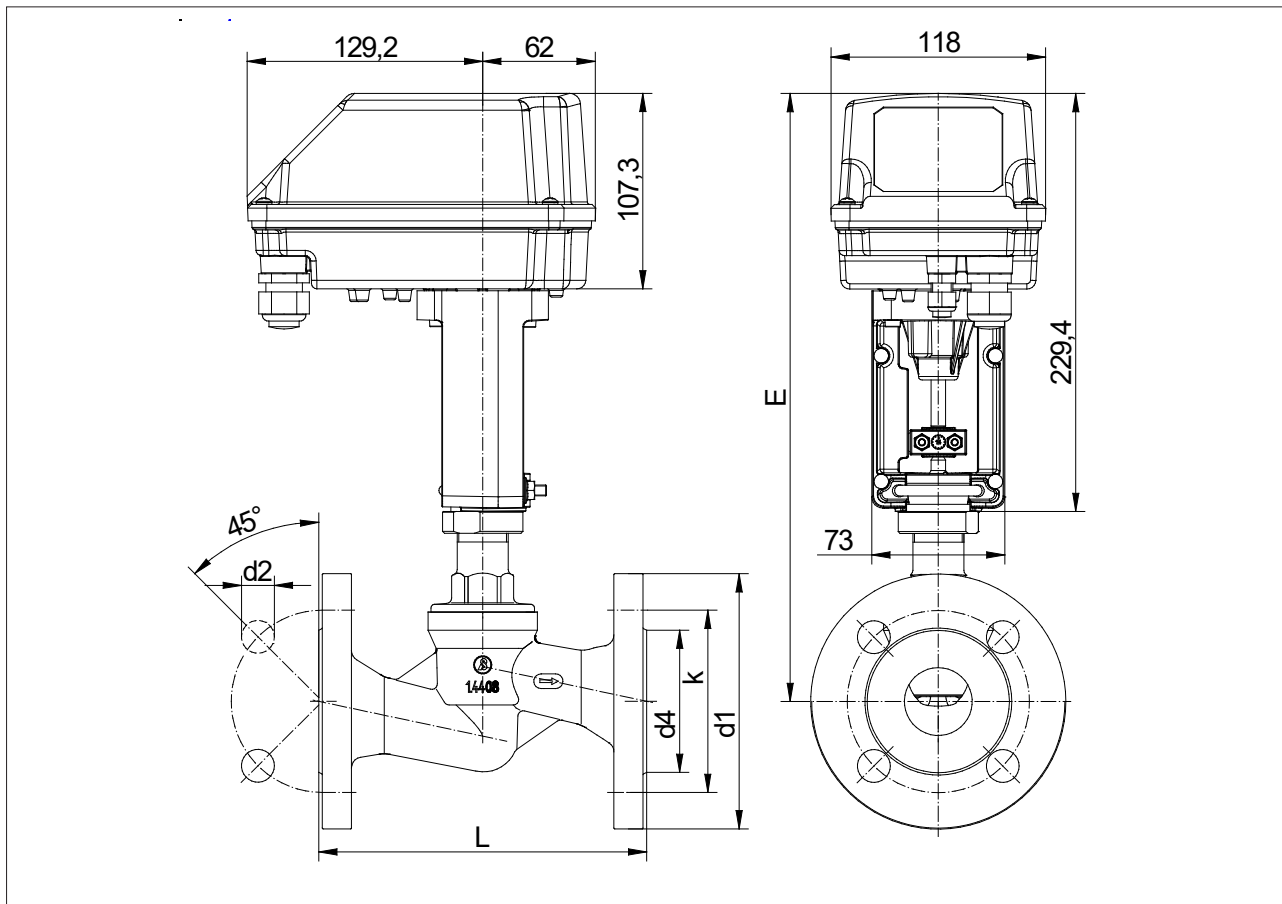
	Article number									
	7232/				K					S
Nominal size:										
DN 15	015									
DN 20	020									
DN 25	025									
DN 32	032									
DN 40	040									
DN 50	050									
Item:										
Valve		V								
Upper part		U								
Actuator		A								
Body design:										
Flanged valve				9						
Connection:										
Flanges acc. DIN 2635					1					
Body material:										
Stainless steel						2				
Seating seal:										
PTFE							0			
FKM (Viton)							1			
EPDM							2			
NBR							3			
Actuator:										
Control actuator CA24C, 24V AC/DC, with position electronic, stanard adjustment: control signal 4-20mA, feedback 4-20mA, 2 limit switch								C		
Control Actuator CA260C, 90-260V 50/60Hz, with position electronic, Standard adjustment 4-20mA, feedback 4-20mA, 2 limit switch								D		
On-Of (3-point) actuator CA24, 24V AC/DC								E		
On-Of (3-point) actuator CA260, 90-260V, 50/60Hz								F		
Control plug:										
none									-	
linear 100%									1	
equal percentage 100%									2	
linear 40%									3	
equal percentage 40%									4	
linear 25%									5	
equal percentage 25%									6	
Safety position:										
without safety position										-
Fail-Safe: normally closed at power failure										2
Fail-Safe: normaly open at power failure										3
Stroking times										
Standard (2 s/mm for control actuators - 3 s/mm for on-off-actuators)										-
3 s/mm										4
1,5 s/mm										5

Ordering example:

7232/025VK91202C

Flanged compact motor valve type 7232, DN 25, flanges acc. DIN 2635, stainless steel body, seating seal PTFE, control actuator CA24C, 24V AC/DC, 0,8 kN, control electronics 4-20 mA, position feedback 2-10V, linear characteristic, Kvs-value 14 (100 %).

Dimensions and Weights for CA-actuators



DN	L	d1	d2	d4	k	E	stroke	weight kg
15	130	95	14	45	65	309	9	3,8
20	150	105	14	58	75	313	14	4,7
25	160	115	14	68	85	330	18	5,3
32	180	140	18	78	100	334	21	6,9
40	200	150	18	88	110	340	22	8,1
50	230	165	18	102	125	364	22	9,9

Dimensions in mm