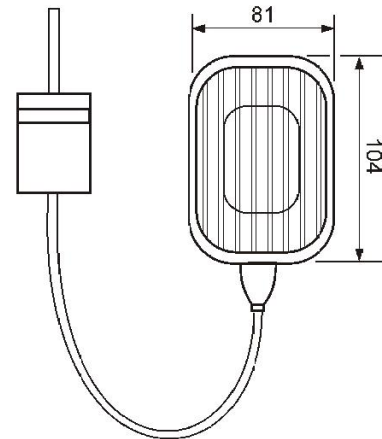


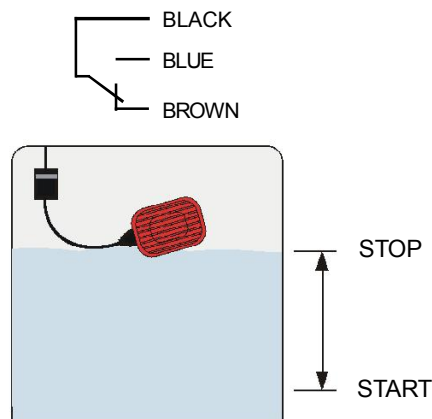
INME

FLOAT LEVEL SWITCH



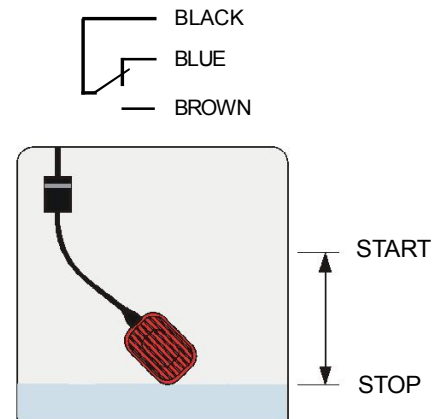
Funtion	Control of maximum and/or minimum level when filling or emptying water.
Application	Economic, low cost. Clean and residuals waters without crusts growing.
Attachment	By cable.
Adjustment	Maximum - minimum adjust by counterweight maximum 1 m.
Float material	Non-toxic polystirene.
Cable	PVC cable, 3 x 1 mm ² (high flexibility).
Cable lenght	2-5-10 m
Contact type	SPDT micro-switch.
Maximum voltage	250 VAC
Maximum current	10A / 250 VAC (resistive load) - 8A / 250 VAC (inductive load)
Pressure	5 bar
Operating temperature	+60 °C
Dimensions	135 x 81 x 52 mm
Weight without cable	138 gr / Counterweight: 224 gr
Protection	IP68

Installation examples



FILLING

Stop in filling, start in emptying



EMPTYING

Start in filling, stop in emptying